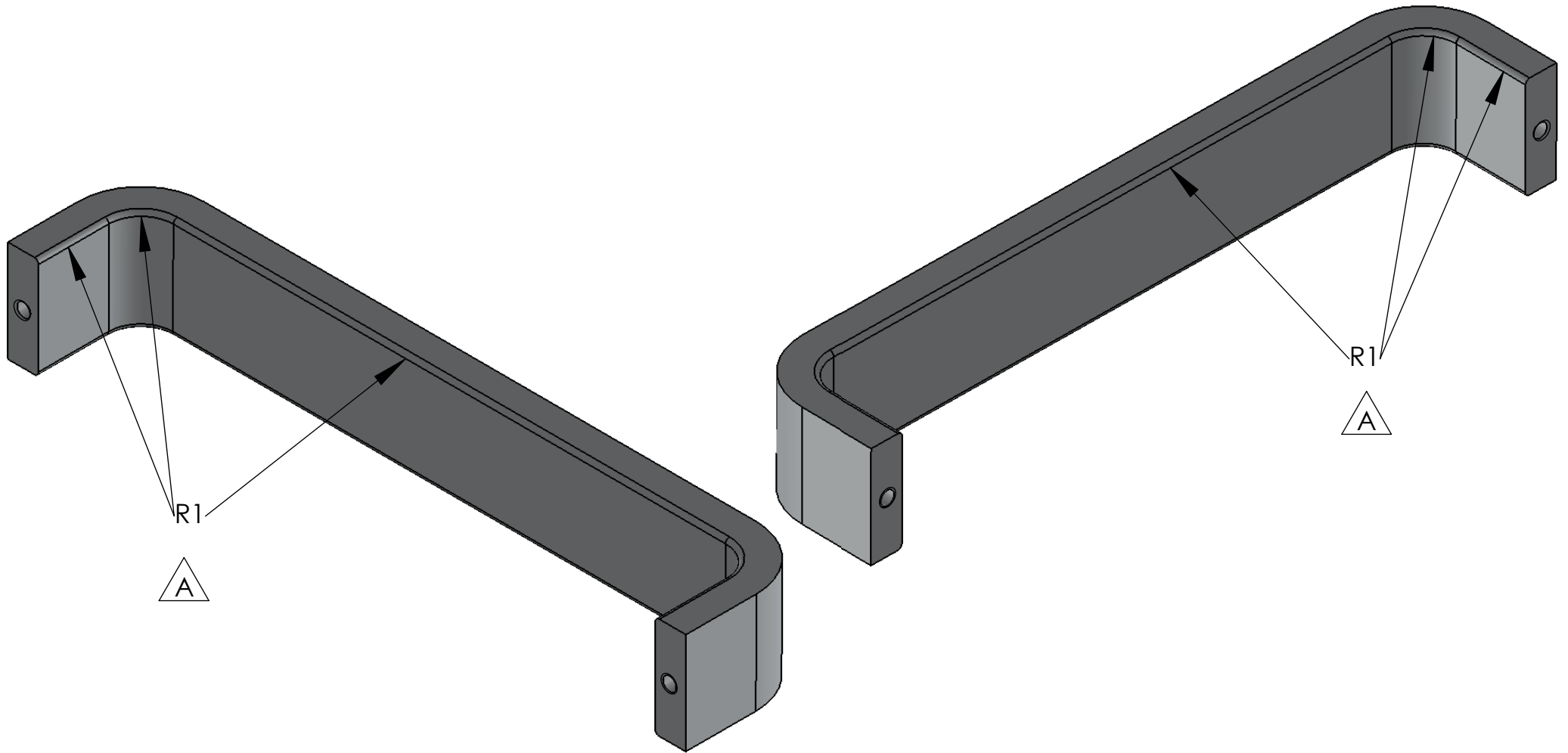


PART NO.	C/C	L
410230160	160	167,6
410230192	192	199,6
410230320	320	327,6

Rev.:	Date:	Name:	Description:
A	23-06-2012	PS	R1 added on inside edges and part no. changed

Part name: GLOSS	Projection: 	Sheet format: <b>A4</b>	Tolerance unless otherwise specified DS/ISO 2768-1M Linear dimensions:														
Customer:	Drawn by: ps date 26. juni 2012	Scale: 1:1															
Part no.: 410230xxx	Material: Aluminium	Page 1 of 2	<table border="1"> <thead> <tr> <th>0-3</th> <th>3-6</th> <th>6-30</th> <th>30-120</th> <th>120-400</th> <th>400-1000</th> <th>1000-2000</th> </tr> </thead> <tbody> <tr> <td>± 0.1</td> <td>± 0.1</td> <td>± 0.2</td> <td>± 0.3</td> <td>± 0.5</td> <td>± 0.8</td> <td>± 1.2</td> </tr> </tbody> </table>	0-3	3-6	6-30	30-120	120-400	400-1000	1000-2000	± 0.1	± 0.1	± 0.2	± 0.3	± 0.5	± 0.8	± 1.2
0-3	3-6	6-30	30-120	120-400	400-1000	1000-2000											
± 0.1	± 0.1	± 0.2	± 0.3	± 0.5	± 0.8	± 1.2											
	Weight: 106,25 grams		<table border="1"> <thead> <tr> <th>Angle</th> <th>Radius</th> </tr> </thead> <tbody> <tr> <td>± 0.5°</td> <td>± 5%</td> </tr> </tbody> </table>	Angle	Radius	± 0.5°	± 5%										
Angle	Radius																
± 0.5°	± 5%																
			Delta 2      Phone: +45 87 64 35 00 DK-8382 Hinnerup      Fax: +45 87 64 35 01														
COPYRIGHT: THIS DRAWING MAY NOT BE COPIED OR REPRODUCED IN ANY WAY WITHOUT DIRECT PERMISSION FROM FURNIPART A/S																	



Part name: GLOSS		Projection: 		Sheet format: <b>A4</b>		Tolerance unless otherwise specified DS/ISO 2768-1M																											
				Scale: <b>1:1</b>		<table border="1"> <tr> <td>Linear dimensions:</td> <td>0-3</td> <td>3-6</td> <td>6-30</td> <td>30-120</td> <td>120-400</td> <td>400-1000</td> <td>1000-2000</td> <td colspan="3"></td> </tr> <tr> <td></td> <td>± 0.1</td> <td>± 0.1</td> <td>± 0.2</td> <td>± 0.3</td> <td>± 0.5</td> <td>± 0.8</td> <td>± 1.2</td> <td colspan="3"></td> </tr> </table>						Linear dimensions:	0-3	3-6	6-30	30-120	120-400	400-1000	1000-2000					± 0.1	± 0.1	± 0.2	± 0.3	± 0.5	± 0.8	± 1.2			
Linear dimensions:	0-3	3-6	6-30	30-120	120-400	400-1000	1000-2000																										
	± 0.1	± 0.1	± 0.2	± 0.3	± 0.5	± 0.8	± 1.2																										
Customer:		Drawn by: ps date 26. juni 2012				<table border="1"> <tr> <td>Angle</td> <td>Radius</td> <td colspan="2"></td> </tr> <tr> <td>± 0.5°</td> <td>± 5%</td> <td colspan="2"></td> </tr> </table>		Angle	Radius			± 0.5°	± 5%																				
Angle	Radius																																
± 0.5°	± 5%																																
Part no.: <b>410230xxx</b>		Page 2 of 2																															
Material: <b>Aluminium</b>		Weight: 106,25 grams										<table border="1"> <tr> <td>Delta 2</td> <td>Phone:</td> <td>+45 87 64 35 00</td> </tr> <tr> <td>DK-8382 Hinnerup</td> <td>Fax:</td> <td>+45 87 64 35 01</td> </tr> </table>		Delta 2	Phone:	+45 87 64 35 00	DK-8382 Hinnerup	Fax:	+45 87 64 35 01														
Delta 2	Phone:	+45 87 64 35 00																															
DK-8382 Hinnerup	Fax:	+45 87 64 35 01																															

Rev.:	Date:	Name:	Description:
A	23-06-2012	PS	R1 added on inside edges and part no. changed